



# underfloor heating products and price guide

July 2010

inta

## Combined pump and thermal blending valve sets

The UFH Single Loop Pump Mixer set is a compact control solution providing temperature control and circulation in a single module, making installation quick and simple. It is most appropriate for single loop UFH applications such as commonly found when a small single room extension building or conservatory is added to the home, where typically the heating load is 3kW or less. The unit should be installed in conjunction with a room thermostat and a zone valve.

### description

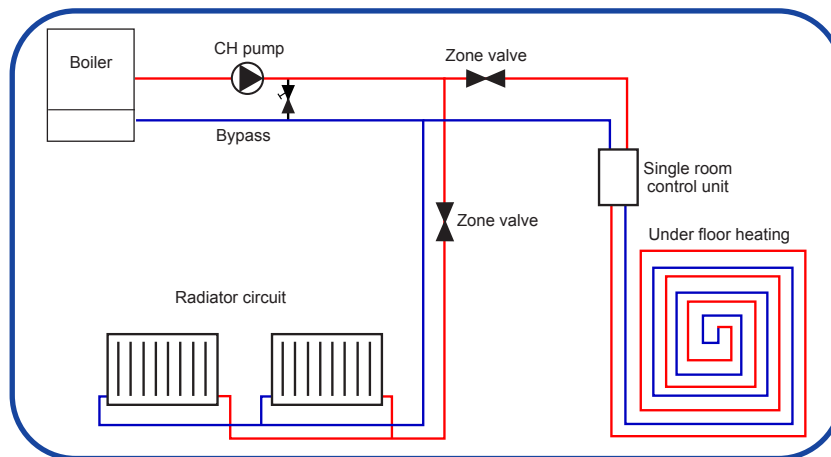
UFH Single Loop Pump Mixer Set

### product code

UFH-SL11

### price

£240.00



### key features:

Package pump and control set for small UFH system

Add on to existing heating system

No additional controls required

Can work in conjunction with a roomstat if desired.

Grundfos 25/60 pump

### technical data

Temperature range	30°C - 65°C
Temperature control	+/- 2C
Max operating temperature	110°C
Maximum working pressure	14 bar static
Isolation valve connections	15mm compression



EcoMix under floor heating combined pump and thermal blending sets



Grundfos Pump



WILO Pump



**EcoMix pump and thermal blending sets description**

EcoMix 15kW pump mixer set

product code	price
UFH-EM15	£216.00

**Minifold UFH system - compact UFH thermoplastic manifold systems**

2 port MiniFold 1" manifolds	BYC00002000	£131.60
3 port MiniFold 1" manifolds	BYC00003000	£159.88
4 port MiniFold 1" manifolds	BYC00004000	£190.12
5 port MiniFold 1" manifolds	BYC00005000	£220.08
6 port MiniFold 1" manifolds	BYC00006000	£248.64
7 port MiniFold 1" manifolds	BYC00007000	£277.20
8 port MiniFold 1" manifolds	BYC00008000	£308.56
9 port MiniFold 1" manifolds	BYC00009000	£341.88
10 port MiniFold 1" manifolds	BYC00010000	£373.80

**Thermo electric actuators**

240v UFH Manifold Actuator 2 wire	ACC00000035	£29.98
240v UFH Manifold Actuator 4 wire	ACC00000051	£29.98

**EUROCONE fittings for minifold underfloor manifolds**

Eurocone fittings to connect 16mm OD plastic pipe	RAC00000056	£3.86
---	-------------	-------

**key features:**

Compact domestic UFH unit  
Ecomix with 1" connections  
Compatible with most 1" manifolds

**Or**

Use with compact minifolds  
Lightweight and robust  
Cost effective and innovative

## Under floor heating blending valves

The UFH Single Loop Pump Mixer set is a compact control solution providing temperature control and circulation in a single module, making installation quick and simple. It is most appropriate for single loop UFH applications such as commonly found when a small single room extension building or conservatory is added to the home, where typically the heating load is 3kW or less. The unit should be installed in conjunction with a room thermostat and a zone valve.

### description

	product code	price
Maxi-Tflo 1" blending valves 30° - 50°C	421031CP	£71.40
Maxi-Tflo 28mm blending valve 30° - 50°C	421030CP	£83.75



**WILO pump connections**



**assembled EcoMix manifold with Grundfos pump**



### key features:

- Reduces temperature to protect floors
- High flow rates
- Adjustable temperature settings

Inta Limited, Airfield Industrial Estate, Hixon, Staffordshire ST18 0PF  
t: 0870 220 9666 f: 01889 272181